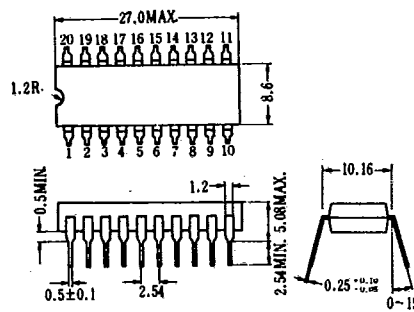
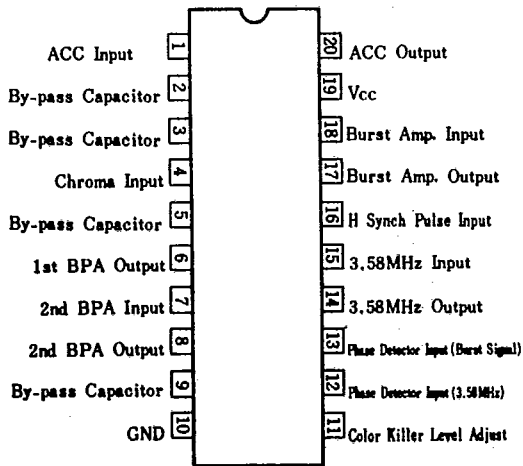


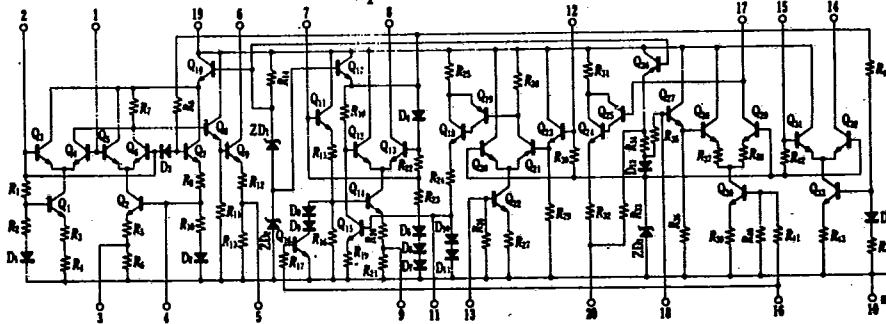


Pin Connection(Top View)

(Dimensions in mm)



Equivalent Circuit



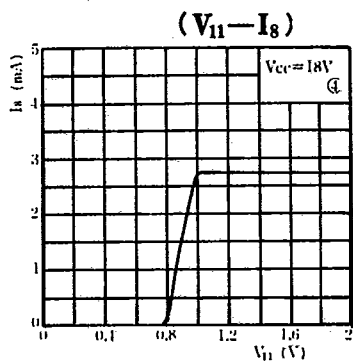
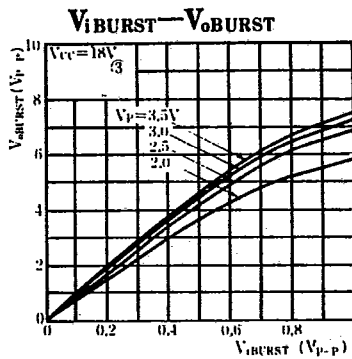
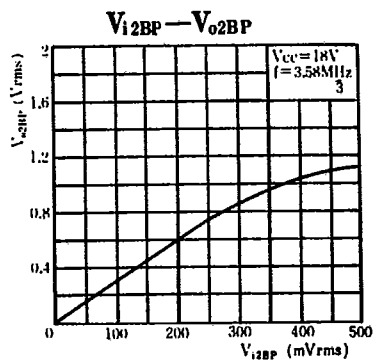
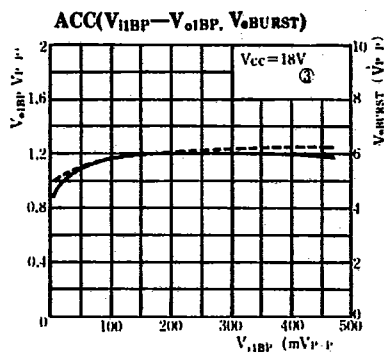
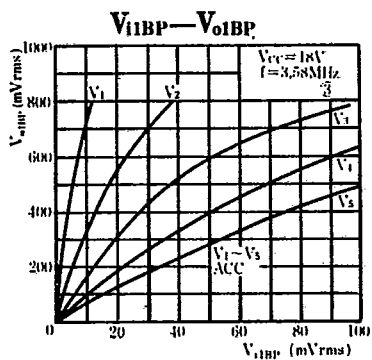
Electrical Characteristics ( $T_a = 25 \pm 3^\circ\text{C}$ ,  $V_{CC} = 18\text{V}$ )

Symbol	Circuit	Test Condition	MIN.	TYP.	MAX.	Unit
$I_{CC1}$	①		14	19	25	mA
$I_{CC2}$	①	$V_i = 200\text{mV}_{P-P}$ , $3V_{P-P}$	15.5	20.5	26.5	mA
$A_{v1}$	②	$f = 3.58\text{MHz}$ , $V_i = 2\text{mV}_{rms}$ , $R_L = 500\Omega$	45	50	54	dB
$A_{v2}$	②	$f = 3.58\text{MHz}$ , $V_i = 40\text{mV}_{rms}$ , $R_L = 1\text{k}\Omega$	17	22	27	dB
$A_{v3}$	②	$f = 3.58\text{MHz}$ , $V_i = 40\text{mV}_{rms}$ , $R_L = 1\text{k}\Omega$ ,	18	23	27	dB
$A_{v4}$	②	$f = 3.58\text{MHz}$ , $V_i = 40\text{mV}_{rms}$ , $R_L = 1\text{k}\Omega$	17	22	27	dB
$I_4$	①		2.5	4.0	5.5	mA
$I_8$	①		2.0	3.2	4.5	mA
$I_{14}$	①		0.5	1.2	2.0	mA
$I_{17}$	①	$16, 3V_{P-P}$	4.0	6.5	9.0	mA
	③	ACC, $V_i$ $200\text{mV}_{P-P}$ , $V_o 1.2V_{P-P}$ , ACC $V_o 1.2V_{P-P} \rightarrow 0.84V_{P-P}$ , $0\text{dB}$ : $V_i =$ $400\text{mV}_{P-P}$	20	26		dB

Absolute Maximum Ratings ( $T_a = 25 \pm 3^\circ\text{C}$ )

Symbol	Rating	Unit
$V_{CC}$	22	V
$I_{CC}$	27	mA
$V_{1BP}$	5	$V_{P-P}$
$V_{2BP}$	5	$V_{P-P}$
$V_{IBURST}$	5	$V_{P-P}$
$V_{IBLANK}$	4	$V_{P-P}$
$V_{IOSC}$	5	$V_{P-P}$
$P_D(T_a = 70^\circ\text{C})$	500	mW
$T_{opt}$	$-20 \sim +75$	$^\circ\text{C}$
$T_{stg}$	$-40 \sim +125$	$^\circ\text{C}$

( $T_a = 25^\circ\text{C}$ )



Application

